

Installation and Maintenance of Cooney Smart Coil System

General Precautions:

Warning:

- Risk of fire or electric shock.

- The ability to install or perform service on this equipment requires expertise, electrical skills, tools, and equipment. If you do not possess these then do not attempt to service this equipment. Improper installation may result in injury, property Damage and / or death.

Description

The Cooney Smart Coil System is designed to work with Cooney Freeze Block Coils. The purpose of this technology is to provide a real time signal to the Building Automation System whenever the Cooney Freeze Block valve has been deployed.

The primary method of freeze detection involves a leak sensing probe that is inserted below the Freeze Block valve and is connected to an electronic monitoring board. This board has options for a normally open and normally closed circuit that can be connected to the Building Automation System controls. When the Freeze Block Valve senses a freeze condition and deploys fluid across the sensor the monitoring board will sense the fluid and change the position of the switch.

Parts List

- | | |
|------------------|------------------------|
| 1. Flat Clip – | AHU installation |
| 2. Hose Clip – | Duct Coil installation |
| 3. Sensor(s) – | All Installations |
| 4. Control Box – | All Installations |

Additional items required for installation

1. Zip ties – To secure and organize sensor leads between the control box and the valves
2. Fireproof caulk – To fill the gap around the leads penetrating the AHU wall (if applicable).

Parts



Figure 1 (flat clip)



Figure 2 (sensor)



Figure 3 (sensor installed)

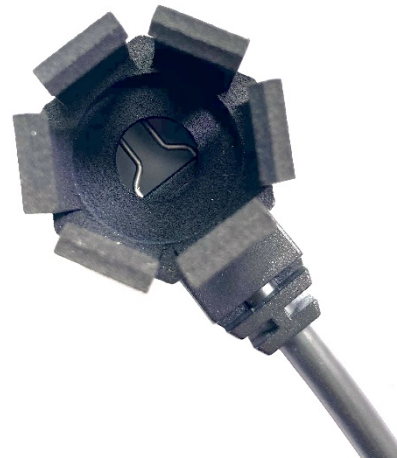
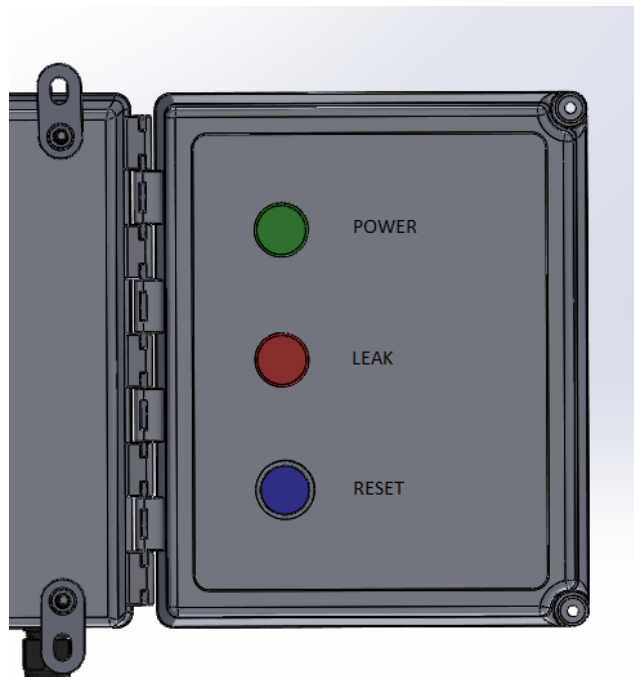


Figure 4 (installed top view)

Control Box

The monitoring board is housed in a NEMA 4 enclosure. This enclosure can be mounted anywhere inside or outside of the Air Handler within the reach of the sensor leads. Recommended placement of the control box is on the outside of the air handler door / panel near the coils. The control box has LED lights on the front to show power is supplied to the box (**GREEN**) and a separate light to indicate a freeze event has occurred (**RED**).



Monitoring Board

All probes will be monitored by the electronic circuit board through a direct connection to the terminal strip. This will allow communication with controlling software via a normally open or normally closed switch. When a leak is detected this switch will change positions, thus indicating to your building's management system / controller logic to enact emergency procedures.

Installation Process

1. Attach the clip, (figure 1) to the outlet of each Freeze Block Valve
2. Insert the sensor, (figure 2) into the clip, (figure 3) until it clicks into place, (The sensor is multi-directional so orientation does not matter)
3. Mount the control box in an accessible location, either inside or outside of the air handler, using the provided mounting hardware. Ensure the control box location can be reached by all sensor leads.
 - If you are mounting the control box outside of the air handler, cut hole in air handler wall to run sensor leads through. The hole size will vary based on the number of leads.
4. Run the sensor leads from the valve(s) to the control box
 - Position all sensor wires in a manner that will prevent damage / inference with other equipment.
 - Utilize zip ties to organize the leads along the path from the valve to the control box
5. Insert the leads through the side inlet(s) on the control box and secure to the terminal strip
 - The terminal strip has designated and labeled ports for each sensor. (Figure 6)
 - Each sensor has two wires (black and white) which must be inserted into adjacent ports on the terminal strip. Orientation is non-specific. (Figure 6)
6. Connect 24V power supply in through the bottom opening of the box and attach to the appropriate 'L N G' ports shown at the bottom of Figure 5.
7. Turn the power on. The green LED light on the front of the control box will be on. Pull each sensor out of the clip and test to ensure it was installed correctly.
 - Test each sensor by dipping it in a cup of water. This will cause the red LED light on the box to turn on.
 - Press the reset button to clear the test after each sensor
 - Install sensor(s) into clip(s)

Installation Process, (continued)

8. Run control wiring from Building Management System to the TB8 output ports (figure 5)
9. Program Building Management System to understand switch position and communicate when the switch position changes due to the Freeze Block Valve deployment:
10. Cooney Engineered Solutions Recommends the Sequence of Operations after a valve deployment:
 - Send alarm to technicians
 - Shut down the fan
 - Close dampers
 - Turn on pre-heat coil (if applicable)
 - Turn on re-circulation pump (if applicable)

Technical Notes

Operation:

- Green LED indicator will be on when power is applied and unit is functioning normally.
- Red LED Indicator turns on when a valve is deployed (Alarm State).
- The Red LED will remain on after valve deployment even if the valve stops deployment.
- The valve deployment can be reset by manually pressing the Reset button.
- If the Red LED indicator light is on after a reset button press, a valve is still deploying.

Power Requirement:

- 24VAC 1A connected to TB4.
- TB4 is labeled "L N G" for the power connections. (Live, Neutral, Ground)
- Maximum power consumption is 5W

Input:

- Up to 30 sensors can be connected to the unit.
- Sensors connect to terminal blocks TB1, TB2, TB3, TB4, TB5 and TB6.

Output:

- A terminal block (TB8) is provided for external monitoring.
- The terminal block is connected to a double pole single throw (DPST) dry contact relay rated a 3 amp at 30V max.
- Pins 1 & 2 are normally closed and pins 2 & 3 are open during normal operation (no valve deployment).
- Pins 1 & 2 are open and pins 2 & 3 are close when a valve is deployed (Alarm State).
- The output will remain in the Alarm State until the reset button is manually pressed.

Figure 5 (wiring diagram)

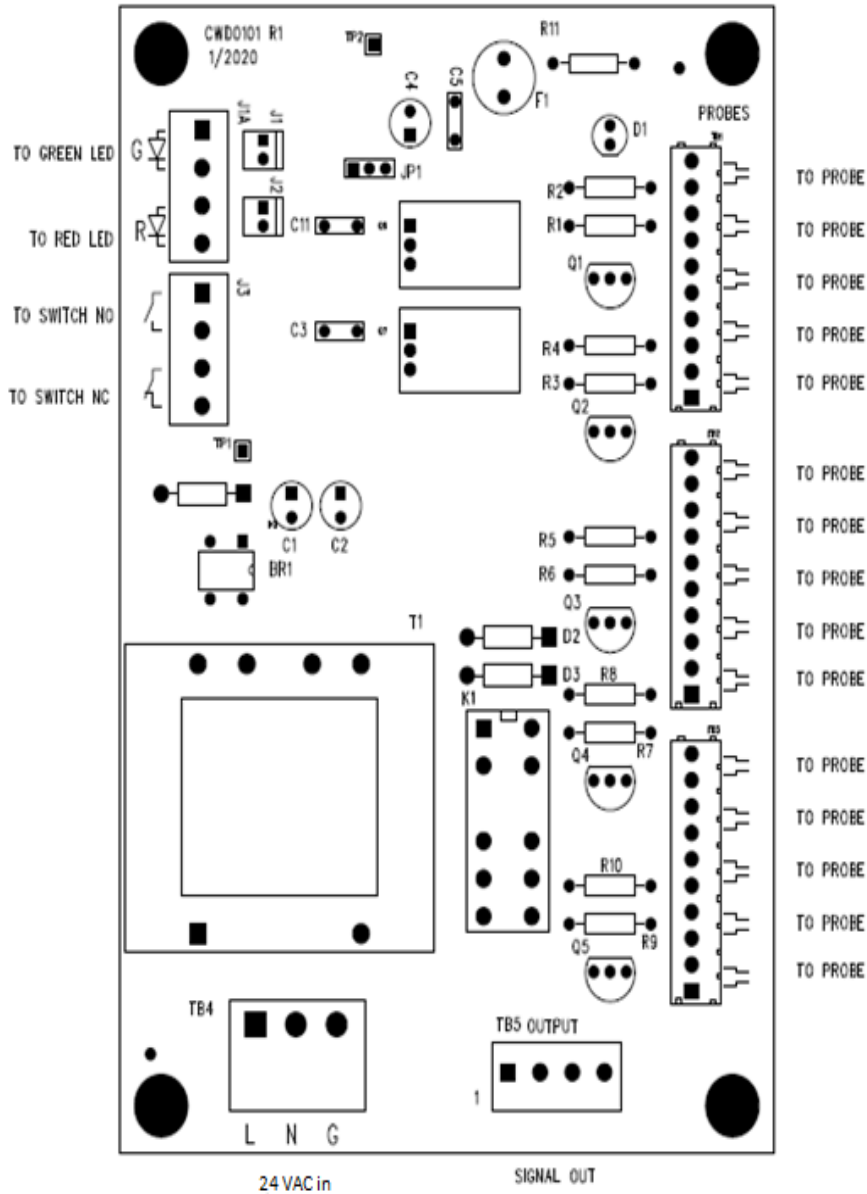


Figure 6 (Control box dimensions)

